

PLEKO THERM SYSTEM

Exterior Insulation & Finishing Systems (EIFS)

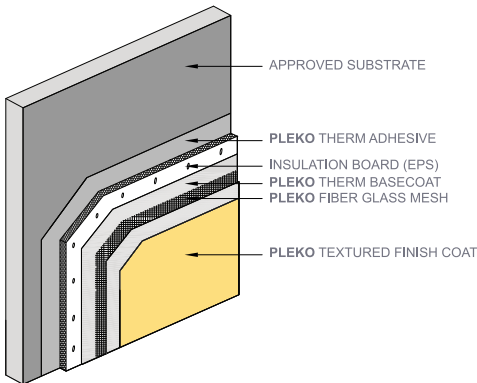


PLEKO

Pleko offers several, important systems design capabilities and advantages to builders and designers alike, many features which may not be possible with more conventional exterior finishes.

It is weather resistant, long lasting, cost effective, damage resistant and virtually maintenance-free.

These advantage plus its easy application makes it ideal for all building whether new construction or refurbishment.



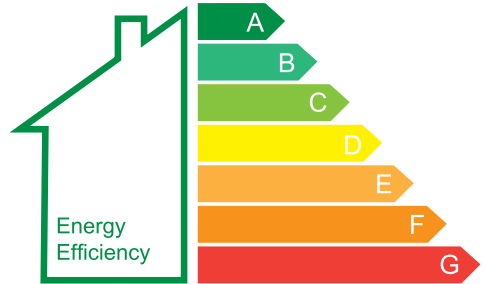
Pleko and the **Rhino Head** are registered trademarks of **Pleko Systems International**

Pleko Therm System

Exterior Insulation & Finishing Systems (EIFS)

Energy Efficiency

- Reduces energy consumption
- Eliminates Thermal bridging
- Cuts carbon dioxide emissions
- Environmentally Friendly



Moisture control

- EWI (External Wall Insulation) eliminates condensation of water in the wall.

Design flexibility

- EPS shaped aesthetic details
- Finish color and textures with endless design possibilities

Weatherability and Durability

- Extensive testing for resistance to fire, wind, water, weathering, impact, freeze thaw.

Cost Effective

- Easy installation
- Minimal maintenance
- Continuous savings

