



# Pleko Systems





## Introduction to Pleko

**Pleko** offers the best of two worlds; Attractive finishes that accommodate many design concepts and cost-effective, practical solutions to building requirements.

**Pleko** innovative EIFS (Exterior Insulation and Finishing System) was initially developed in the 1960's in West Germany, since then years of research and development in the United States, combined with extensive field testing, have led to the state-of-the-art technology that **Pleko** employs today.

**Pleko** offers several, important system design capabilities and advantages to builders and designers alike, many features which may not be possible with more conventional exterior finishes. It is weather resistant, long-lasting, cost-effective, damage resistant and virtually maintenance-free. These advantages plus its easy application makes it ideal for all building whether new construction or refurbishment.

Explore the possibilities with one of these remarkable exterior systems: **Pleko** Therm System, **Pleko** Rain Drain System, **Pleko** Therm Plus System, **Plekote** System, **Pleko** Direct Apply System and **Pleko** Therm Stucco System.



## Benefits

- **Energy efficiency:** **Pleko** EIFS considerably reduce energy consumption, cuts carbon dioxide emissions in buildings and allows for a more sustainable future.
- **Moisture control:** **Pleko** uses EW (External Wall Insulation) which means the insulation is installed on the outside of the external walls. This doesn't only reduce energy consumption but also eliminates condensation of water in the wall.
- **Design flexibility:** EPS can be cut, grooved, assembled to create any shape, curve, cornice, and aesthetic details, while the wide range of finishes offers unlimited colours and textures. The combination gives endless design possibilities.
- **Weatherability and Durability:** finishes feature advanced technology to improve long term weatherability and system components provide unmatched long term durability. All have been rigorously tested for resistance to fire, wind, water penetration, weathering, impact, freeze thaw...
- **Cost Effective:** Ease of adaptation and initial installation, minimal routine maintenance and continuous savings over the years make **Pleko's** EIFS an extremely Cost Effective system.



## Pleko Therm System

**Pleko Therm System** is a widespread Traditional Class PB Exterior Insulation Finishing System (EIFS). Beneath the long-wearing good looks of this exterior wall coating are energy savings to last the life of your structure, making it the ideal cladding system for all types of construction whether new or retrofit.

This system offers significant advantages in comparison to other claddings: Energy Savings; Design Flexibility, Ease of Application, Weather Resistance; Durability, Cost Effective and Low maintenance.

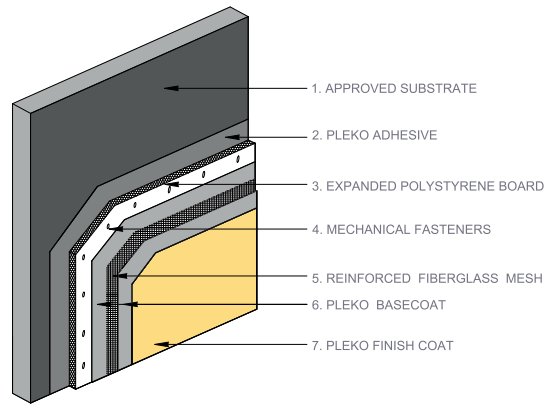
The system consists of adhesive coat, approved expanded polystyrene or polyisocyanurate insulation board, reinforcing mesh, base coat, finish coat, and applicable accessories to form an energy efficient exterior wall. Finishes are available in various textures and limitless colour selection.

**Pleko Therm System** has passed rigorous tests including Full-Scale Fire, Wind-Load, Water Penetration, Freeze Thaw, Accelerated weathering, Impact test.

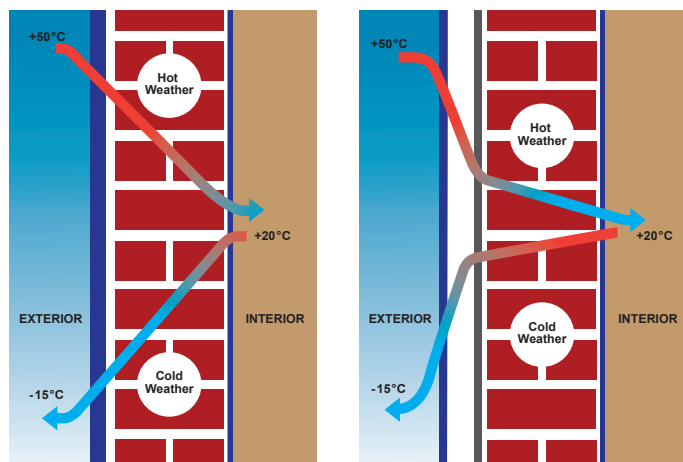
## Pleko Therm Plus System

Modified version of **Pleko Therm System** to provide a secondary weather barrier and allow positive drainage of water.

**Pleko Therm Plus** consists of **Pleko Waterproof Adhesive**, approved EPS insulation board, reinforcing mesh, WP Base coat, Finish coat, and applicable accessories (rubberised perimeter membrane & starter weep screed) to form an energy efficient exterior wall, designed to provide positive drainage for incidental moisture.



**Pleko Therm System**



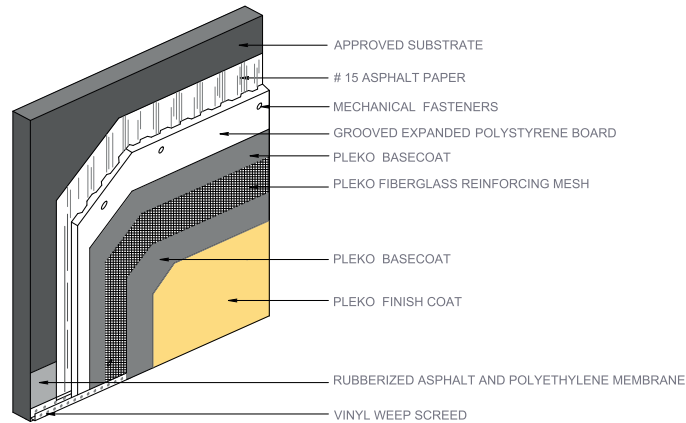
Temperature gradient with / without insulation for hot or cold weather



## Pleko Rain Drain System

**Pleko** Therm System modified to enhance protection against any water that may enter the system at various penetrations of the wall. The system is engineered to allow positive drainage of water through specially configured grooves behind the foam. It also provides a secondary weather barrier.

**Pleko** Rain Drain consists of **Pleko** approved and specially configured EPS insulation board, reinforcing mesh, Base coat, Finish coat, and applicable accessories (mechanical fasteners, secondary weather barrier, rubberised perimeter membrane & starter weep screed) to form an energy efficient exterior wall, designed to provide positive drainage for incidental moisture.



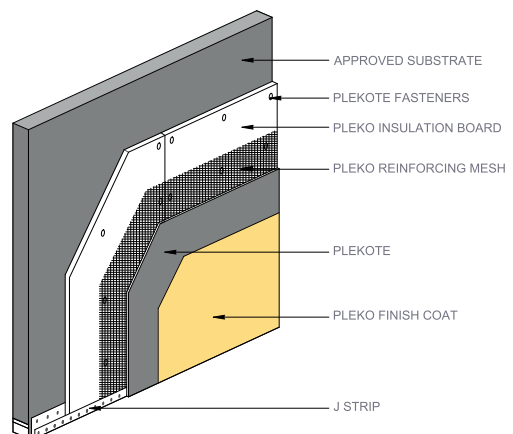
**Pleko Rain Drain System**



## Pleko Plekote System

**Plekote** is the high build thick coat system designed to meet the toughest environmental conditions. Your first choice whenever vandalism, heavy use and abuse are common. When mechanically fastened to extruded or high density expanded polystyrene board, it creates an energy efficient insulation with extra-ordinary resistance to ultra-high impact damage.

Comprised of extruded polystyrene insulation board, reinforcing fabric, mechanical fasteners, polymer modified base coat containing chopped fiber glass strands, finish coat, and applicable accessories to form a highly impact resistant, energy efficient exterior wall.

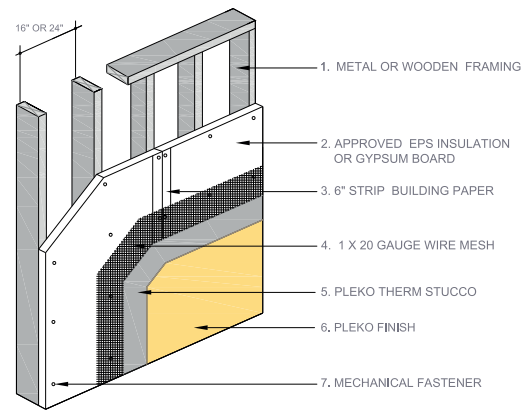


**Pleko Plekote System**

## Pleko Therm Stucco System

For the look of stucco with long-term savings, choose **Pleko Therm Stucco**. This unique system's life cycle cost outperforms the conventional cement stuccos.

This simple four-step application process also saves money and time. The tough resiliency of the **Pleko** finish coating ensures low maintenance costs for the long term. Field tested for many years, the Therm Stucco System stands up to weather and wear. A popular choice for both commercial and residential structures. The system consists of EPS board or gypsum sheathing, wire mesh or lath, acrylic modified cement stucco, Finish coat and applicable accessories (mechanical fasteners, building paper)



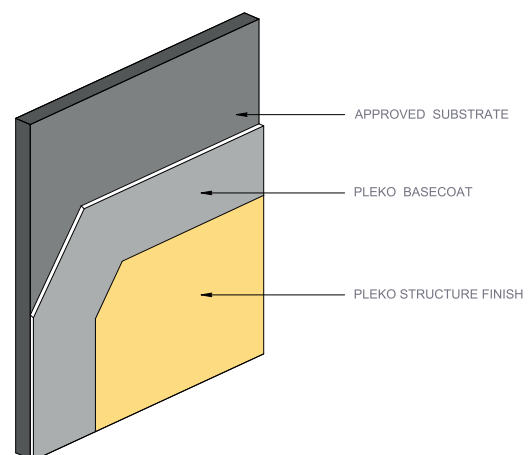
**Pleko Therm Stucco System**



## Pleko Direct Apply System

**Pleko Direct Apply System** is a contemporary wall system with the classic beauty of stucco. This low maintenance system withstands the tests of time, weather, wear, abrasion and impact. This textured wall coating system offers dramatic decorating possibilities for both exterior and interior applications.

Like all **Pleko** products, you choose from several textures and colours. System consists of Elastomeric Joint Sealer, Base coat and Finish coat.



**Pleko Direct Apply System**

## Pleko EIFS Prefabricated Panels

In order to build more efficiently prefabricated panels of **Pleko** EIFS can be offered.

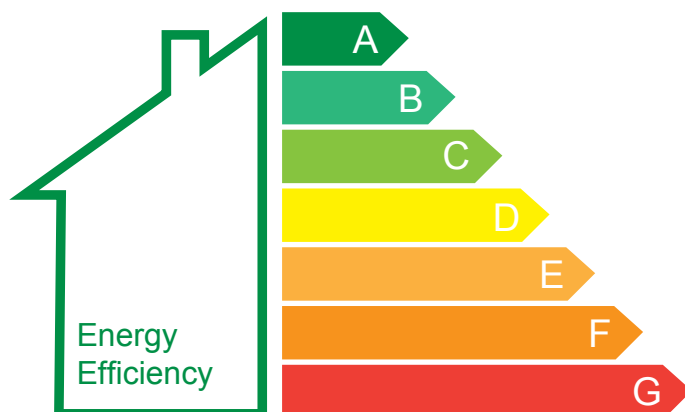
The same advantages of **Pleko** Therm System can be achieved with reduced on site installation time, equipments and construction wastes. Factory material application enhances quality control and allows work through any weather condition. Other systems can also be panelized.

Alternatively contractors can decide to apply **Pleko** systems in panels themselves and then assemble them on site.



### An Energy Efficient combination

R-Value at 75°F	1"	2"	3"	4"
With Expanded Polystyrene 1.0pcf	3.85	7.70	11.55	15.40
With Expanded Polystyrene 1.5pcf	4.17	8.34	12.51	16.68
With Polyisocyanurate 2.0pcf	6	14.3	---	---





## Approved Substrates for Pleko Systems

Substrate	Therm System	Therm Plus	Rain Drain	Plekote	Rain Drain	Direct Apply
Exterior Grade Gypsum Sheathing <sup>(a)</sup>	•	•	•	•	•	
Sheet rock (Interior only)						•
Concrete	•	•	•	•	•	•
Brick	•	•	•	•	•	•
Block wall	•	•	•	•	•	•
Fiber Cement Board	•	•	•	•	•	•
Stucco	•	•	•	•	•	•
Exterior Plywood <sup>(a)</sup> Exposure I Board <sup>(a)</sup>	•	•	•	•	•	•
Metal				•		•
Open-Frame Construction					•	•

<sup>(a)</sup> Must not be used if moisture content maximum exceeds 12%. Consult **Pleko** Technical department for approvals.

### Backed by a 5 years material warranty

#### Limited warranty

#### Disclaimers and Limitation of remedies

Seller warrants each of the products manufactured by Seller, and applied by an approved applicator who has received instructions in correct applications by Seller, will be free from defects for period of five (5) years after delivery. Products manufactured by others are covered only by such warranties as are extended by the manufacturer or supplier of those products and **SELLER MAKES NO EXPRESS OR IMPLIED WARRANTIES RESPECTING PRODUCTS MANUFACTURED BY OTHERS**. Seller assigns Buyer and all warranties that are made by the manufacturers and suppliers of materials that Seller sells, and which are assignable, but Seller makes no representations as to effectiveness or extent of such warranties and does not assume any responsibility for any matters which may be warranted by such manufacturers or suppliers. For complete warranty details, see the Pleko Technical and Planning Guide.



## Pleko Systems International

Brickell Bayview Center  
80 SW 8th St. Suite 2000  
Miami, Florida 33130  
United States of America  
Tel. No. +1 305-539-3786  
Fax No. +1 305-908-7601

## Pleko Systems Philippines

1286 Interior Fruto Santos Avenue  
Zapote, Las Pinas City  
Metro Manila, Philippines  
Tel./Fax No. +632 874-8470

